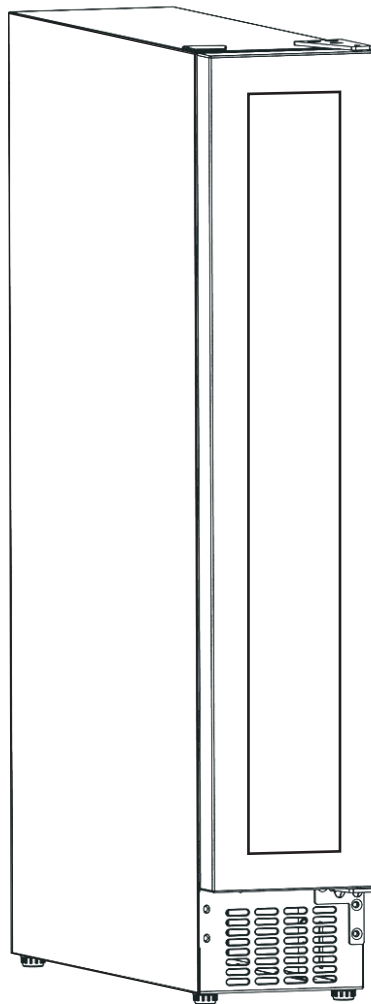


# **DECO**

## **Wine Refrigerator**

**Model - WR 007**



### **OWNER'S MANUAL**

---

**Please read the Manual carefully before operating the Appliance**

# Table of Contents

<b>1. Warranty.....</b>	<b>3</b>
<b>2. Safety Instruction.....</b>	<b>4</b>
<b>3. Illustrated Structure.....</b>	<b>5</b>
<b>4. Electric Diagram.....</b>	<b>6</b>
<b>5. Installation Instruction.....</b>	<b>6</b>
<b>6. Electric connection.....</b>	<b>7</b>
<b>7. Operate your wine refrigerator.....</b>	<b>9</b>
<b>8. Care and maintenance.....</b>	<b>9</b>
<b>9. Problems.....</b>	<b>10</b>
<b>10. Service and notice.....</b>	<b>10</b>
<b>11. Disposal.....</b>	<b>11</b>

# WARRANTY SERVICE

---

This warranty is given by:

**Deco Appliances**  
10216 Georgibelle Drive, Suite 900D  
Houston, TX 77043-5249

**For Service, Parts and Accessories:**

**Appliance Desk**  
Call 1-800-776-3538  
Email: [service@appliancedesk.com](mailto:service@appliancedesk.com)  
Web: [www.ApplianceDesk.com](http://www.ApplianceDesk.com)  
Business hours (9:00 a.m. to 5:00 p.m. weekdays).

## GENERAL

---

Since it is the responsibility of the consumer - owner to establish the warranty period by verifying the original purchase date, Deco Appliances recommends that a receipt, delivery slip or some other appropriate payment record be kept for that purpose. This warranty gives you specific legal rights, and you may also have other rights which vary from State to state.

**You can register your warranty in the following ways:**

1. By Mail - Fill out the warranty card included with the product and mail it to us.
2. By Phone - Click a picture of the sticker in front of the product and send the it to us via text message on **832-598-6424** or email it to us on **[register@warranty-247.com](mailto:register@warranty-247.com)**
3. Online - Go to the website [www.ApplianceDesk.com](http://www.ApplianceDesk.com) and fill out a form.

*All rights reserved. Manual subject to change without notice.*

## 1. Important Safety Instructions

⚡ WARNING ⚡

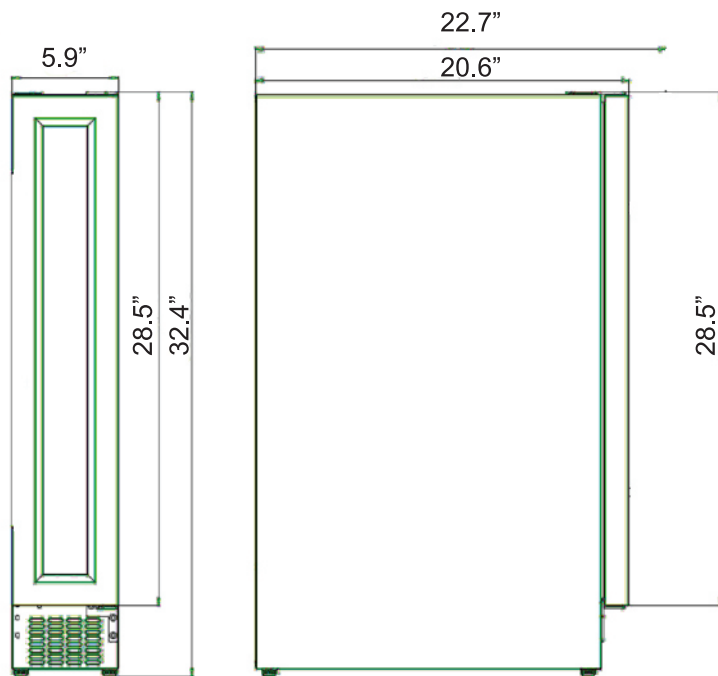
To reduce the risk of fire, electrical shock, or injury when using your appliance, follow these basic precautions;

- Read all instructions before using the wine refrigerator.
- **DANGER** or **WARNING**: risk of child entrapment.
- Junked or abandoned appliances are dangerous, even if they “just sit in the garage for few days”.
- **Before you throw away your old wine refrigerator**: take off the door leave the shelves in place so that children may not easily climb inside.
- Never clean appliance parts with flammable fluids. The fumes can create a fire hazard or explosion.
- Do not store or use gasoline or any other flammable vapors and liquids in the vicinity of this or any other appliance. The fumes can create a fire hazard or explosion.
- Do not store food in wine refrigerator, as interior temperature may not get cold enough to prevent spoilage.
- This appliance is not intended for use by persons (including children) with reduced physical sensory or mental capabilities, or lack of experience and knowledge, unless they have been given supervision or instruction concerning use of the appliance by a person responsible for their safety.
- Children should be supervised to ensure that they do not play with the appliance

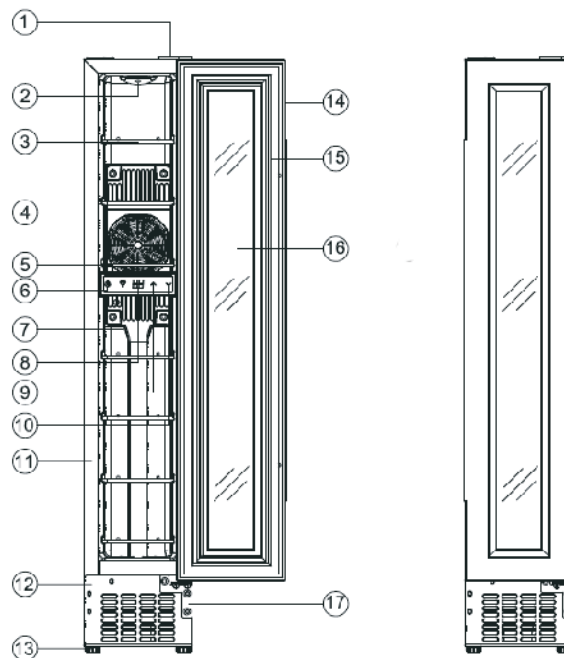
**WARNING:** Please do not use where children can touch the unit, nor let children use the unit by themselves.

## 2. Technical Data

Model	WR 007
Capacity	7 Bottles (23L)
Voltage	110V/60Hz
Current	0.9 A (25°C/77°F)
Input power	70W
Max working temperature	90 °F / 32 °C
Ambient temperature range	51-64 °F / 11 - 18 °C
Net weight	21 lbs
Gross weight	23 lbs
Product size (HxWxD)	35.5" x 5.9" x 20.6"

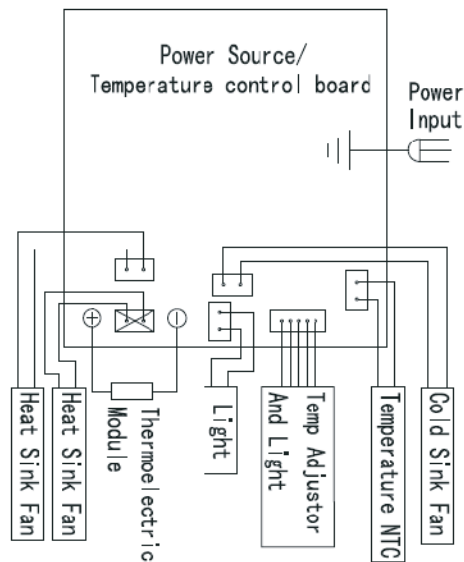


### 3. Illustrated structure



- 1. UPPER HINGE 2. LIGHT 3. SHELF 4. COOLING FAN COVER 5. CONTROL BOX
- 6. C/F CONTROLS 7. LIGHT CONTROL 8. TEMPERATURE DISPLAY WINDOW
- 9. TEMPERATURE UP KEY 10. TEMPERATURE DOWN KEY 11. CABINET 12. AIR OUTLET
- 13. FEET 14. DOOR 15. DOOR SEAL 16. GLASS 17. LOWER HINGE

## 4. Electric Diagram



**Electrocircuit Line Diagram**

## 5. Installation Instructions

### **Before using your wine refrigerator**

Remove the exterior and interior packing

Check to be sure the following parts are included:

- For WR 007, 7 slide out shelves
- 1 Owners manual

Before connecting the appliance to the power source let it stand upright for approximately 2 hours. This will reduce the possibility of a malfunction in the cooling system from handling during transportation.

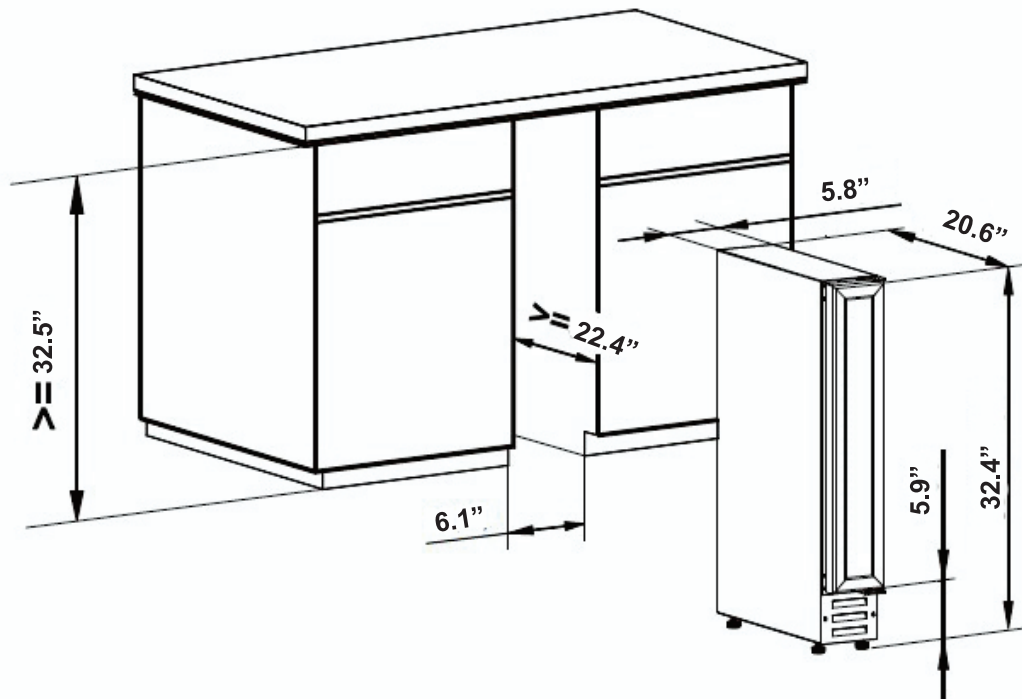
Put on the space holder inside the manual bag, it helps to keep space between machine and the wall to allow air ventilation.

Clean the interior surface with lukewarm water using a soft cloth.

Place your appliance on a floor that is strong enough to support the appliance when it is fully loaded. To level your appliance, adjust the front legs at the bottom of the appliance.

Installation should be away from direct sunlight and sources of heat (stove, heater, radiator, etc.). Direct sunlight may affect the acrylic coating and heat sources may increase electrical consumption. Extreme cold or hot ambient temperatures may also cause the appliance to not perform properly. Not designed for placement in cellar or basement. The appliance is for indoor use only.

**Caution:** Please keep the appliance away from substances, which ignite.



- Your wine refrigerator can be used as free standing or in a built-in unit. The clearances shown in the above drawing should be followed for both types of installation.
- In particular the depth dimension must be observed.

**IMPORTANT: The vent at the base of the appliance is for ventilation. Nothing should be placed in front of this vent; otherwise your appliance may not operate properly.**

## 6.Electrical Connection

### **Warning**

Improper use of the grounded plug can result in the risk of electrical shock. If the power cord is damaged, have it replaced by an authorized service center.

This unit should be properly grounded for your safety. The power cord of this unit is equipped with a 3-pin plug which mates with 3-pin wall outlets to minimize the possibility of electrical shock. Do not cut or remove the ground wire from the power cord supplied under any circumstances. Use of extension cords is not recommended. This unit requires a standard electrical outlet. The cord should be secured behind the wine refrigerator and not let exposed or dangling to prevent accidental injury.

# WALL AND FLOOR BRACKETS



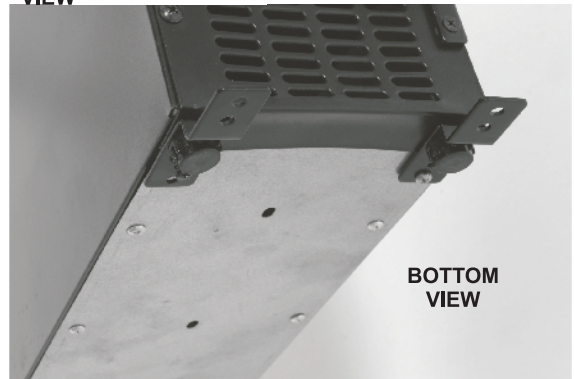
TOP VIEW



## **WALL BRACKET**

For Homes and RV's

To affix the wine refrigerator to the wall. Remove the tab first, install the wall bracket then put the tab back.



BOTTOM VIEW

## **FLOOR BRACKET**

For RV's

To keep the wine refrigerator stable on the floor.






## **7. Operating Your Wine Refrigerator**

It is recommended that you install the wine refrigerator in a place where the ambient temperature is between 50 - 80°F. If the ambient temperature is above or below recommended temperatures, the performance of the unit may be affected. For example, placing in extreme cold or hot conditions may cause interior temperature to fluctuate. The range of 51 - 64°F may not be reached.

The temperature may fluctuate depending on whether or not the interior light is on or off or whether the bottles are located on the upper, middle or lower section.

### **How to set the temperature:**

There are three touch-buttons on the control panel:

- “  ” increases and “  ” decreases temperature by 1°C or 1.8°F ( temp range is 51-64°F / 11-18°C)
- “  ” button turns the interior light on or off .
- Press C/F switch to change Celsius or Fahrenheit display.

### **Note:**

- This product is designed for maximum cooling of 57°F below ambient temperature.
- When the ambient temperature around 77°F or less, the unit can maintain a temperature range between 51-64°F.

## **8. Care And Maintenance**

### **Cleaning your wine refrigerator**

- Unplug the wine refrigerator and remove the bottles.
- Wash the inside with a warm water and baking soda solution. The solution should be about 2 tablespoons of baking soda to a quart of water.
- The outside of wine refrigerator should be cleaned with mild detergent and warm water.
- Draw out the water box at the bottom, and then wash it.

### **Moving your wine refrigerator**

- Remove all the bottles.
- Securely tape down all loose items inside your wine refrigerator.
- Turn the leveling legs up to the base to avoid damage.
- Tape the door.
- Be sure the wine refrigerator stays in the upright position during transportation.

## **9.Problems Disposal**

You can solve many common wine refrigerator problems easily, saving you the cost of a possible service call. Try the suggestions below to see if you can solve the problem before calling service center.

<b>PROBLEM</b>	<b>POSSIBLE CAUSE</b>
Wine refrigerator does not operate.	Not plugged in. The circuit breaker is tripped or a blown fuse.
Wine refrigerator is not cold enough.	Check the temperature control setting. External environment may require a higher setting. The door is open too often. The door is not closed completely The door seal does not seal properly. The wine refrigerator does not have the correct clearance.
The light does not work	Replace light.
Vibrations.	Check if the wine refrigerator is leveled properly.
The wine refrigerator seems to make too much noise	The wine refrigerator is not leveled properly. Check the fan for any problems.
The door does not close properly.	The Wine refrigerator is not leveled properly. The doors were reversed and not properly installed. The seal is weak. The shelves are out of position.
LED does not display anything at all.	Main control board does not work. PCB Problem. There could be some problem with the plug.
LED displays error.	Problems with the display. Temperature point is out off.
Bottoms are not functional.	Temperature controller panel is damaged.
Door Cannot close tightly	Check the door seal if it is in proper position Check if the wine bottles are placed in positions Weak magnetic door seal

## **10.SERVICE & IMPORTANT NOTICE**

If the power cord is damaged upon receipt and inspection of the unit, it must be replaced by the manufacturer or its service agent or a similarly qualified person in order to avoid a hazard

For any additional information or questions, please contact the service center.

## **11.DISPOSAL**

1. Please remove the door before you dispose your appliance.
2. Do not dispose this product as unsorted municipal waste. Collection of such waste separately for special treatment is necessary.
3. **Information regarding disposal of the appliance**  
Flammable insulation blowing gases should be disposed appropriately. Take the cabinet to a recycling center for flammable insulation disposal.

